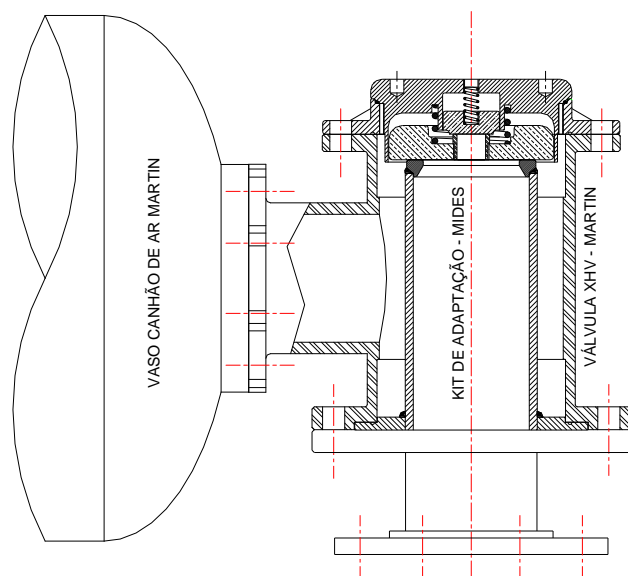
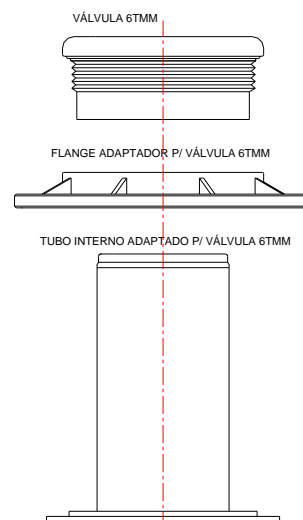


# Installation of MIDES® 6TMM Valve on Martin Vessel (model XHV)



MIDES® 6TMM Valve Kit



1-10-2013  
MIDES

## 1<sup>st</sup> Step:

- You must remove the Martin Valve from his Vessel. In this step you need to remove of all internal components.

**XHV Valve**



**Remove  
Connecting flange**



**Remove Internal  
Tube**



**Internal Tube  
removed**



**Remove Top Cover  
and the Exhaust Valve**



**Remove Spring**



**Remove the Piston**



**Piston removed**



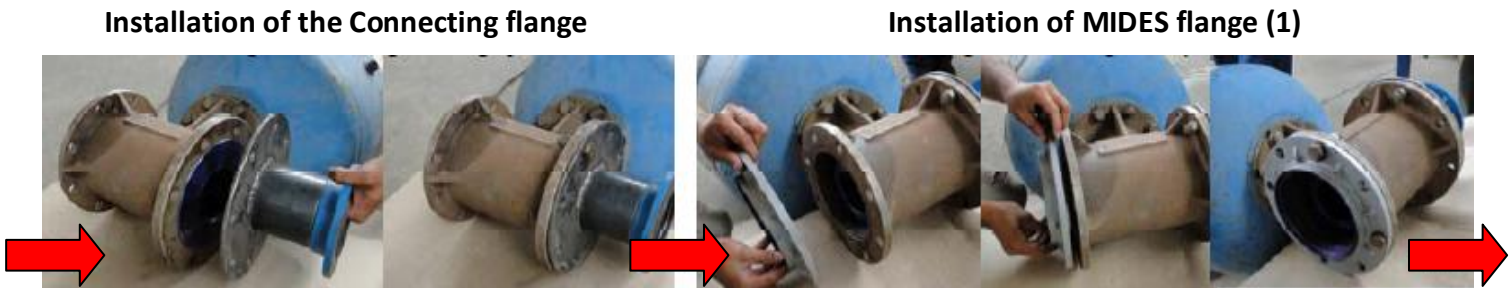
**Components removed from XHV  
Valve**



XHV Valve disassembled and Pressure Vessel ready for installation of MIDES<sup>®</sup> 6TMM Valve Kit.

## 2<sup>nd</sup> Step:

- You are now ready to install the MIDES® 6TMM Valve Kit on the Vessel.



**Installation of Quick Exhaust Valve – see annex 1**



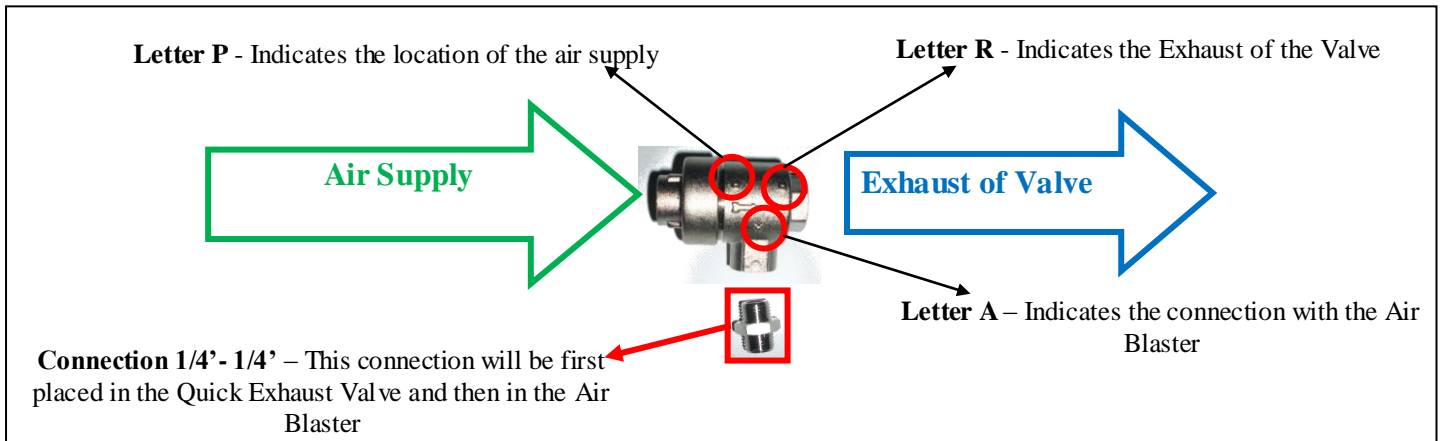
### Observation:

In the Kit sent to the customer the MIDES® 6TMM Valve (3) is already assembled with the MIDES Flange (1). In that case you must install the like that without the need of disassemble this 2 parts.



### Annex 1.

The Quick Exhaust Valve should be placed as the description show in the figure.



In case of doubts please contact immediately by:

Phone: +351 932 932 065

Email: [desocel@gmail.com](mailto:desocel@gmail.com)

Fax: +351 219 266 318

Best regards,

Rui Batalha

[www.midesusa.com](http://www.midesusa.com)